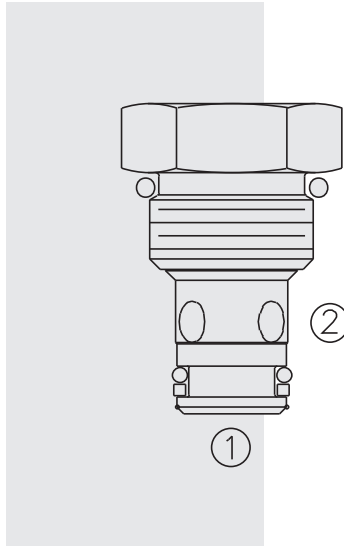


HCV08-20 HyPerformance™ Check Valve



DESCRIPTION

A screw-in, cartridge-style, hydraulic check valve for use as a blocking or load-holding device for high pressure applications.

OPERATION

The HCV08-20 allows flow passage from 1 to 2, while normally blocking oil flow in the opposite direction.

The cartridge valve has a fully guided poppet which is spring-bias closed until sufficient pressure is applied at 1 to open to 2.

FEATURES

- Hardened seat for long life and low leakage.
- Optional bias springs for back-pressure application flexibility.
- Fully guided check assembly.
- Compact size.
- Fast closing and seating.
- All HyPerformance™ products are tested to the rigorous standards of the NFPA specification T2.6.1 and are tested at a verification level of 90% and an assurance of 99%

RATINGS

Operating Pressure: 350 bar (5075 psi); 10% cycle life: 420 bar (6090 psi)

Note: All HyPerformance™ products are tested for 900K cycles at 350 bar and 100K at 420 bar.

Proof Pressure: 630 bar (10000 psi)

Burst Pressure: 1380 bar (20000 psi)

Flow Rating: 30 lpm (8 gpm)

Internal Leakage: 0.10 ml/minute (2 drops/minute) max. at 350 bar (5075 psi)

Temperature: -54 to 107°C (-65 to 225°F) with Urethane seals

Filtration: See page 9.010.1

Fluids: Mineral-based or synthetics with lubricating properties at viscosities of 7.4 to 420 cSt (50 to 2000 sus); See Temperature and Oil Viscosity, page 9.060.1

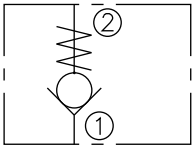
Installation: No restrictions; See page 9.020.1

Cavity: HVC08-2; See page 9.108.1

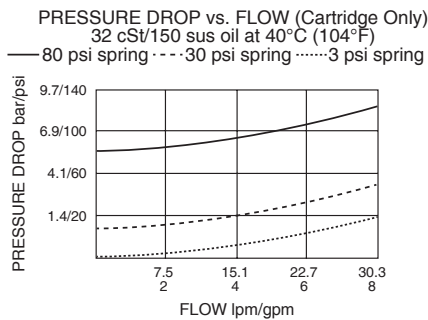
Cavity Tool: HCT08-2XX; See page 8.600.1

Seal Kit: SK08-2U-0; See page 8.650.1

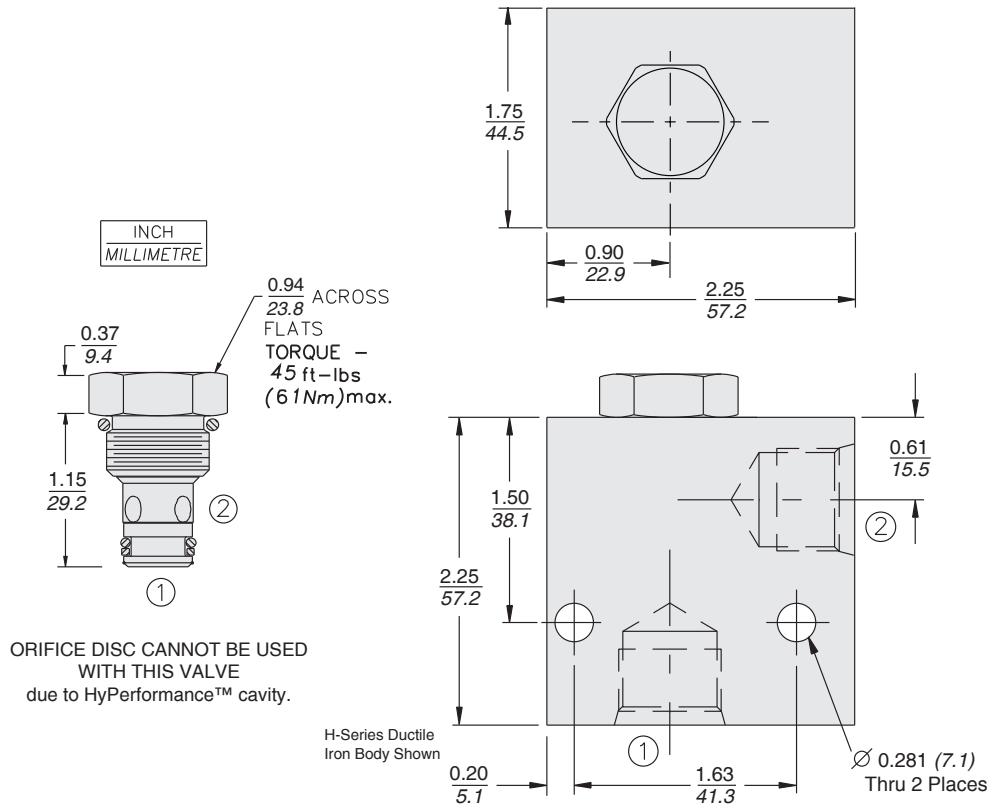
ISO SYMBOL



PERFORMANCE (Cartridge Only)



DIMENSIONS



MATERIALS

Cartridge: Weight: 0.07 kg. (0.15 lbs.)
Steel with hardened work surfaces.
Zinc-plated exposed surfaces.

Standard Ported Body: H-series ductile iron standard. Rated to 354 bar (5000 psi). See page 8.008.1.

TO ORDER

HCV08-20 -

Porting
Cartridge Only **0**
SAE 8 **8HT**
3/8" BSP* **3HB**
*BSP body; U.K. mfr. Only

Seals
Urethane **U**

Note: Urethane seals recommended for operating pressures above 241 bar (3500 psi). Consult factory for additional seal options.

Bias Spring
3 0.2 bar (3 psi)
7 0.5 bar (7 psi)
10 0.7 bar (10 psi)
20 1.4 bar (20 psi)
30 2.1 bar (30 psi)
45 3.1 bar (45 psi)
60 4.1 bar (60 psi)
80 5.5 bar (80 psi)
110 7.6 bar (110 psi)
150 10.3 bar (150 psi)